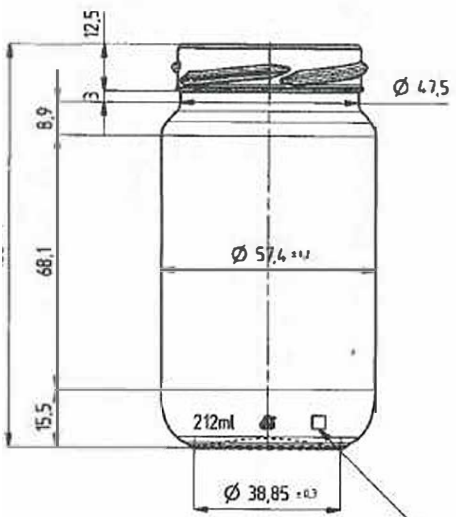
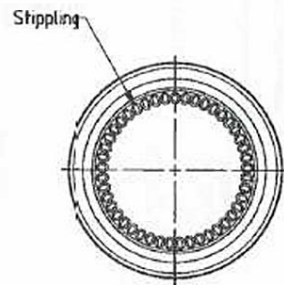


Finish Twist-Off 53mm Regular
EN ISO 9100-6

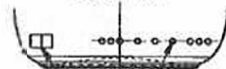


Production year

Bottom view



Back view



Mould number + Dot code

