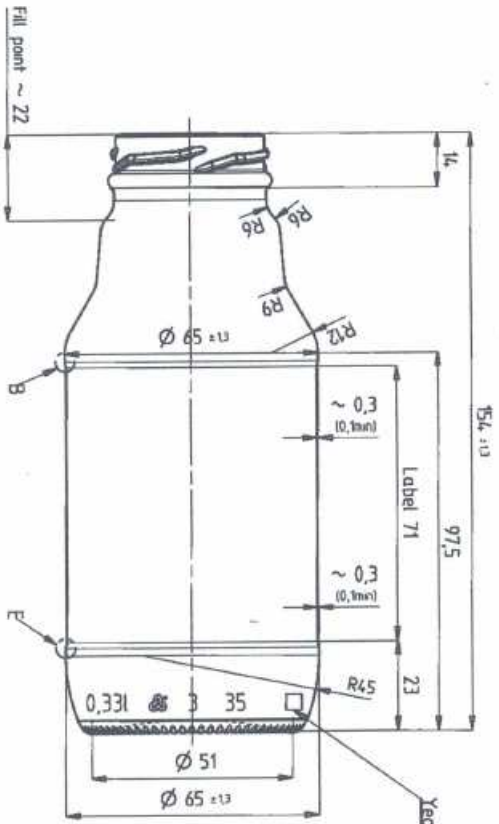


Finish
 Twist-Off 43 mm
 GME 20-03 (FD157A)

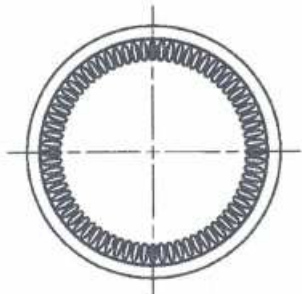


154,13

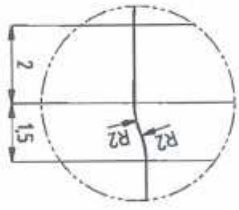
97,5

Year made

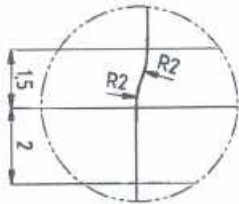
Bottom view



Detail B
 Scale 10:1



Detail E
 Scale 10:1



Mould number + Dot code

