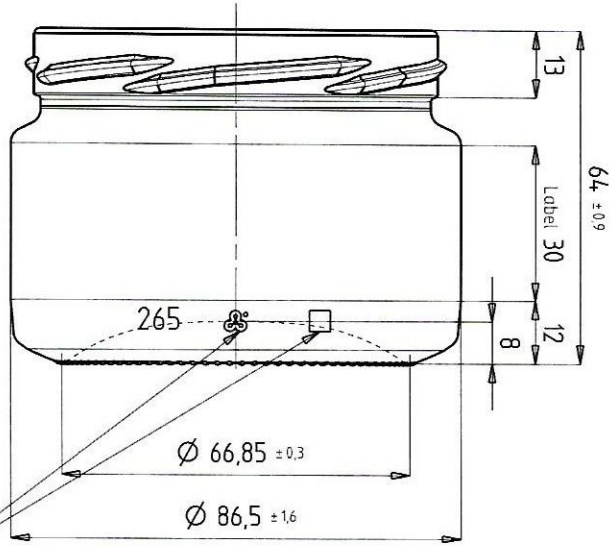


Finish
Twist-Off 82mm Regular
EN ISO 9100-11



64 ± 0.9

13

Label 30

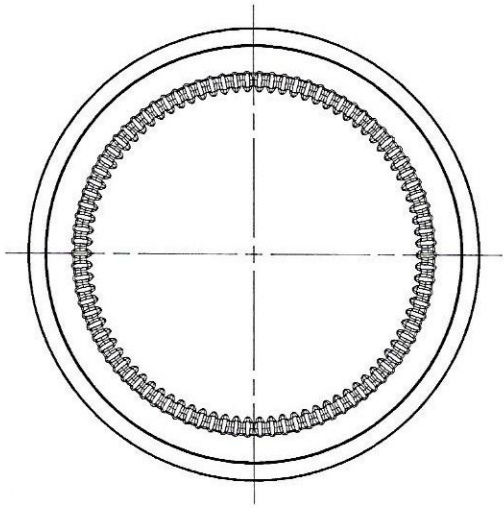
12

8

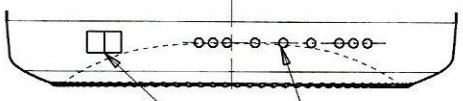
265

Ø 66,85 ± 0,3

Ø 86,5 ± 1,6



Bottom view



Mould number + Dot code

Manufacturer + Year made