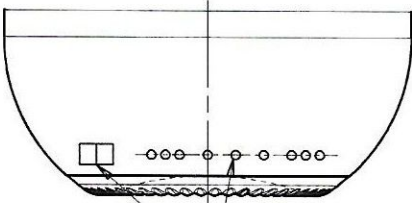
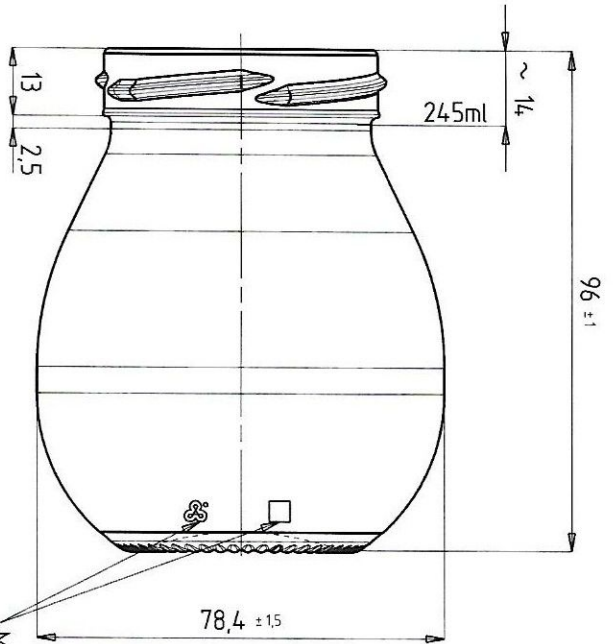
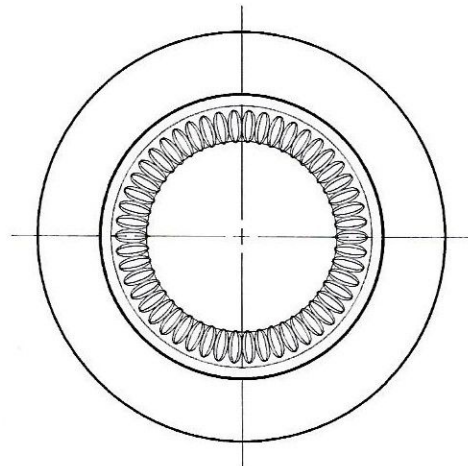


Finish  
Twist-Off 58mm  
EN ISO 9100-6



Mould number + Dot code

Manufacturer + Year made



Bottom view