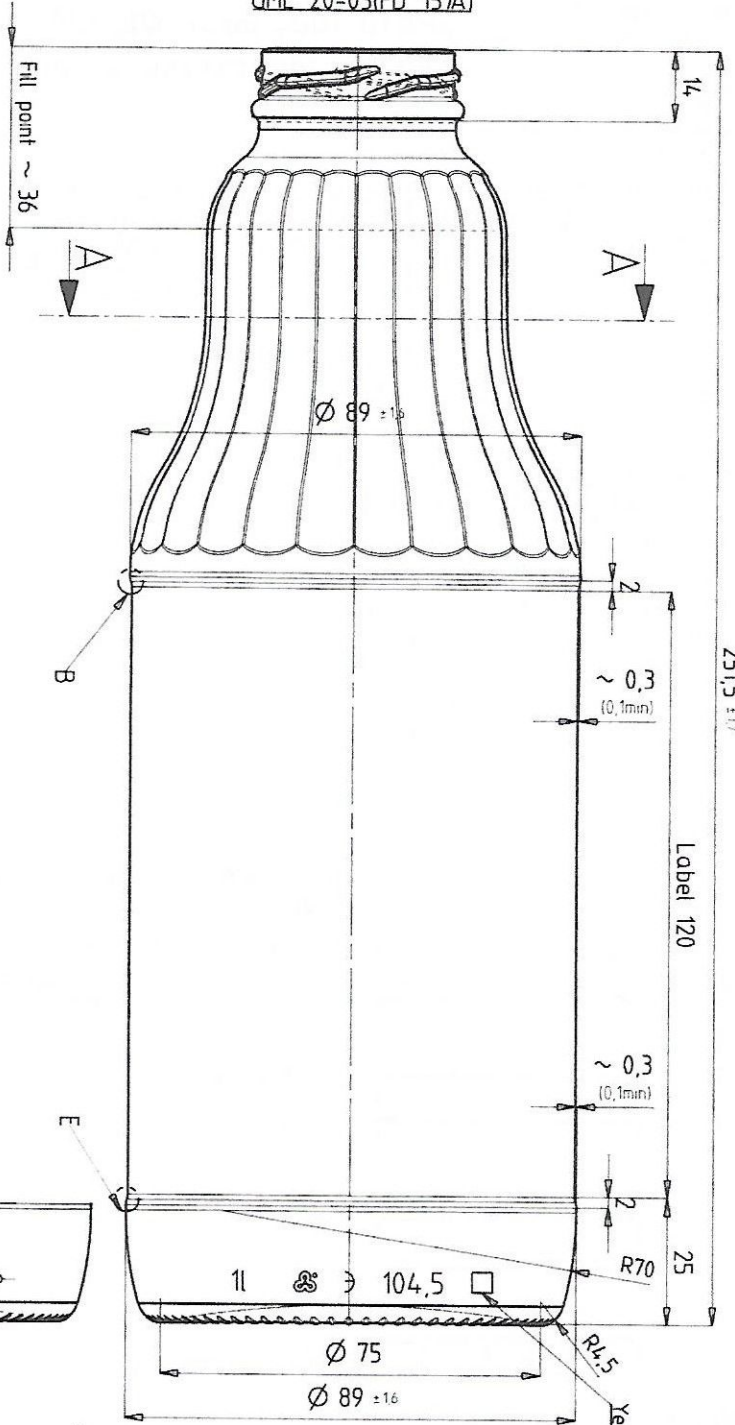
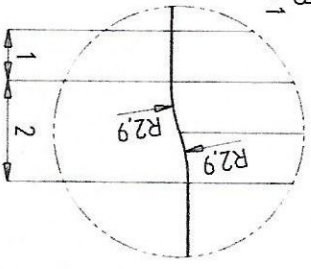


Finish
 Twist-Off 4.3 mm
 GME 20-03(FD 157A)

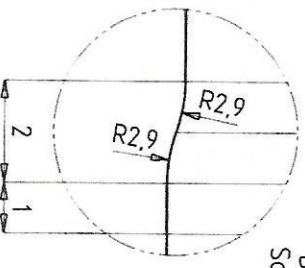
2515 ±0.1



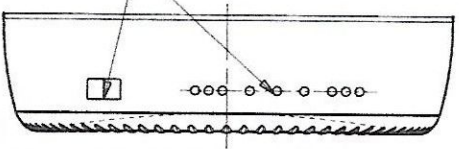
Detail B
 Scale 10:1



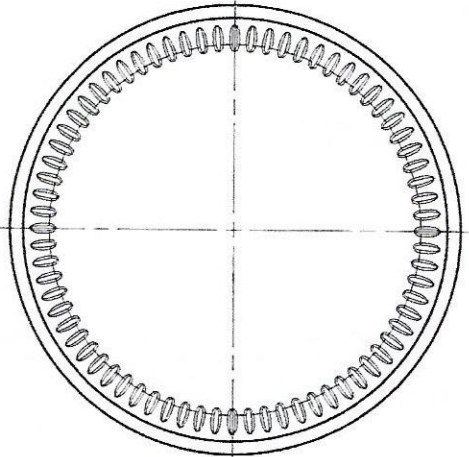
Detail E
 Scale 10:1



Mould number + Dot code



Bottom view



SECTION A-A
 SCALE 2:1

