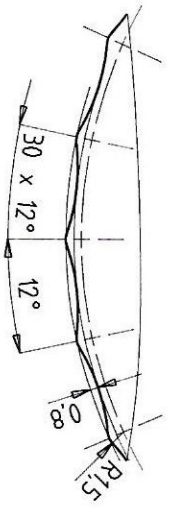
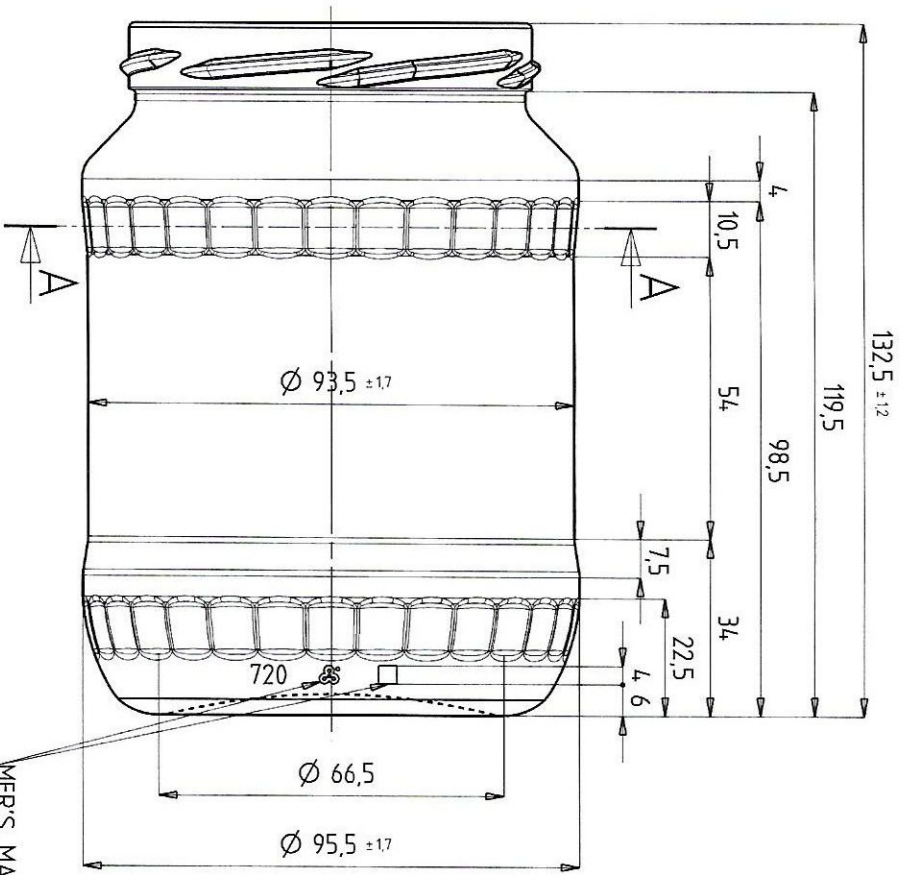


FINISH  
Twist Off 82mm Regular  
GME 20-09 (FD 130)

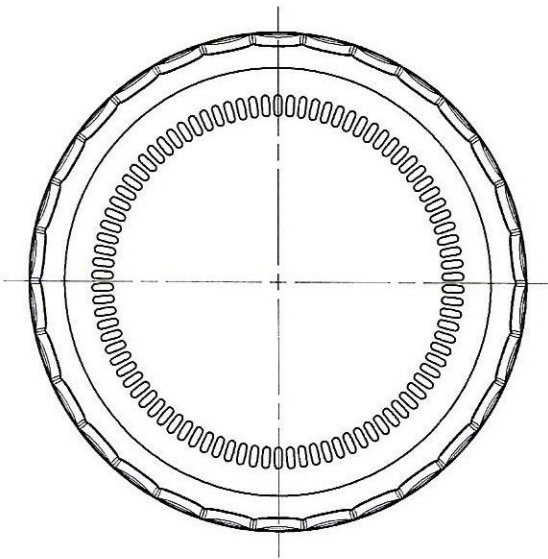


SECTION A-A

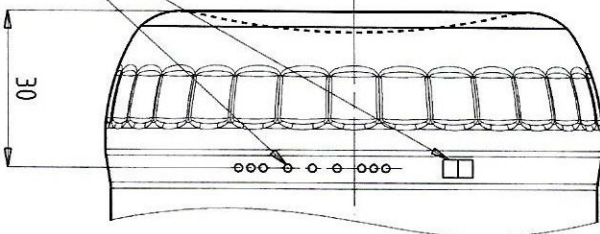


MFR'S MARK + PRODUCTION DATE

MOULD NR + DOT CODE



BOTTOM  
VIEW



BACK  
VIEW