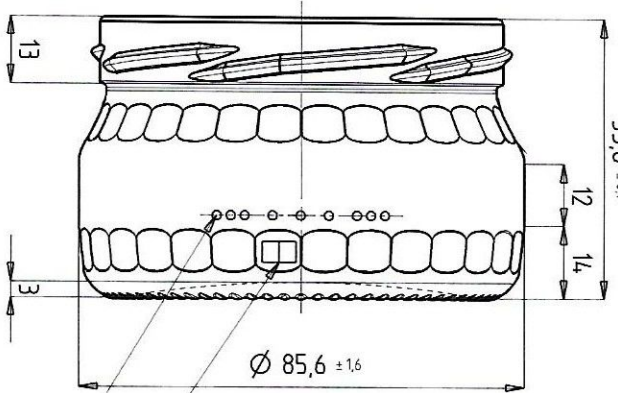
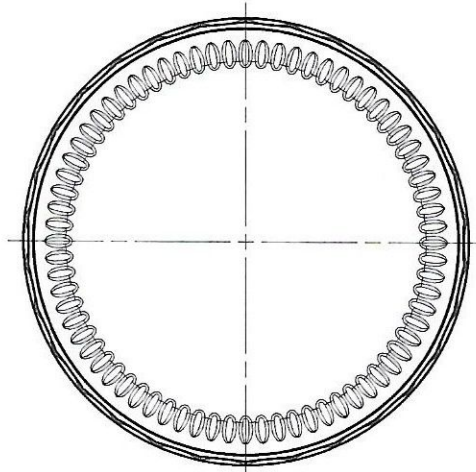


Finish
Twist-Off 82 mm Regular
EN ISO 9100-11

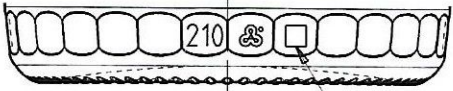
53,8 ± 0,9



Bottom view



Back view



Year made

Dot code

Mould number