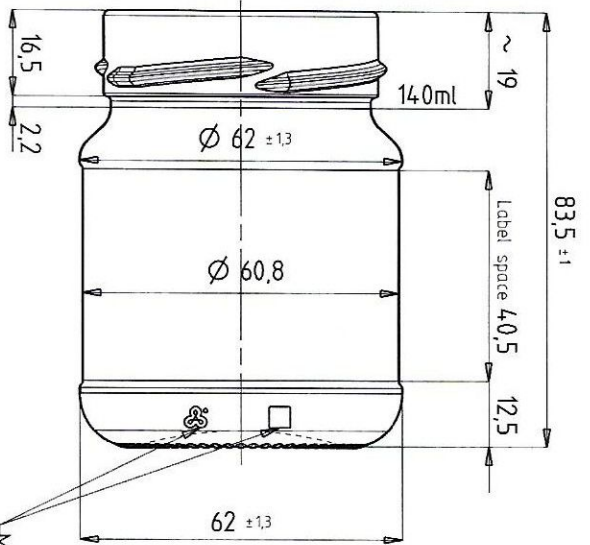
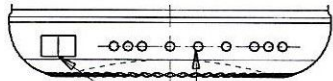
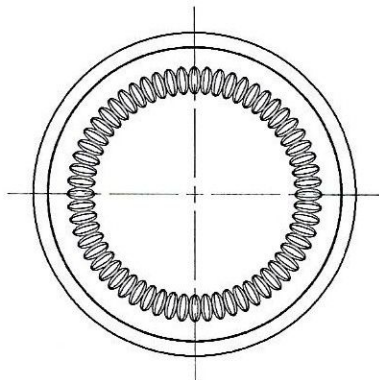


Finish
Twist-Off 58mm
EN ISO 9100-7



Bottom view



Mould number + Dot code

Manufacturer + Year made